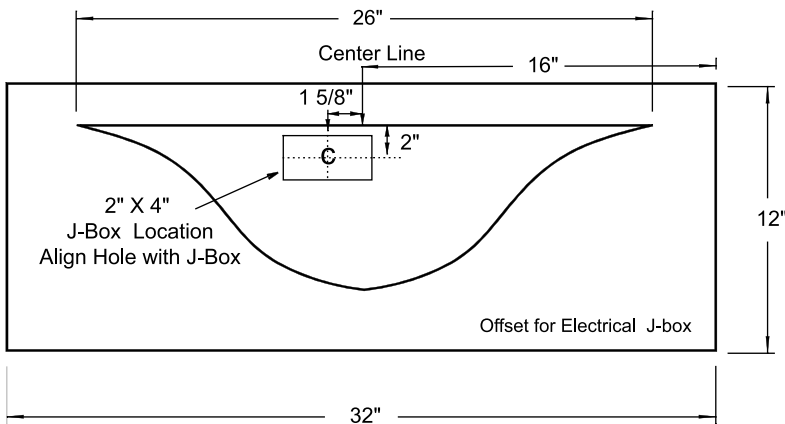


## Architectural Product Information

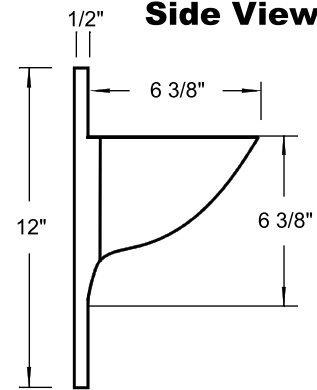
Specifications subject to change, for the latest up to date information, go to [www.ChadwickDesigns.com](http://www.ChadwickDesigns.com). Data can be downloaded in various formats. For technical questions and information, call 1-800-925-0005

## Specification Sheet for the M-01 Mission Sconce 06/27/03

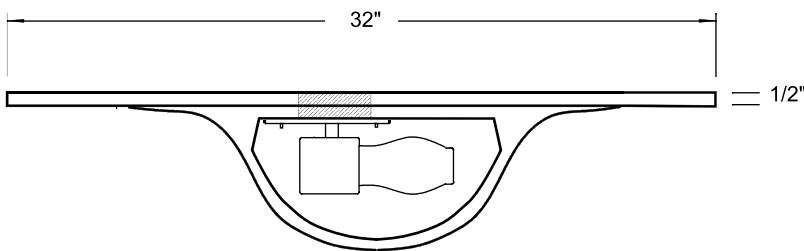
### Front View



### Side View

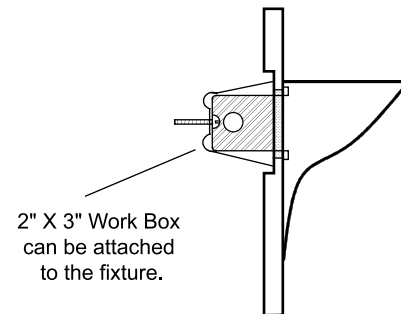


### Top View



### Handy Box Application

Cross section of cut in box attached to fixture.



### Standard Lamping

Incandescent, Med. Base, A Type Bulb, 100 Watt, 120V

### Lamping Options

Fluorescent: PL Sockets, GX23, 13 Watts

Custom Lamping Per Request

### Fire and Product Data

Material: 5,000 psi Reinforced Plaster Mix

Flash Point: Non-Combustible

Melting Point: 1450 C Decomposes

### Parts List

Plaster Fixture

Complete Light Assembly Kit

Heat Shield

Shims for 5/8" Rock Application

Fastening Screws

Installation Instructions and Specification Sheets

### Nail on J-Box Application

