

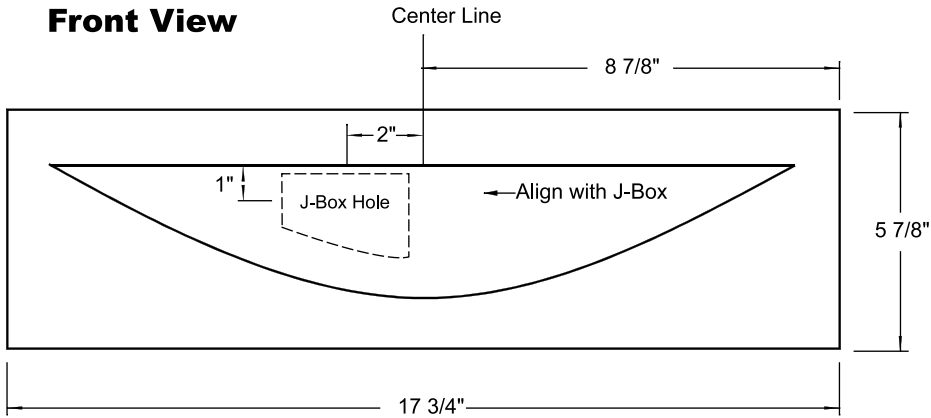
Architectural Product Information

Specifications subject to change, for the latest up to date information, go to www.ChadwickDesigns.com. Data can be downloaded in various formats. For technical questions and information, call 1-800-925-0005

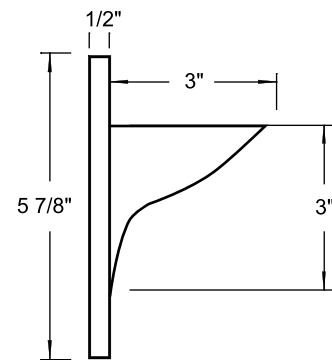
Specification Sheet for the E-03 Eclipse

06/27/03

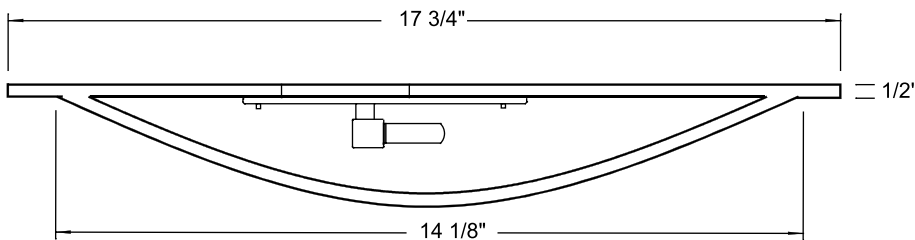
Front View



Side View



Top View



Standard Lamping

Incandescent, Candelabra Base, T-6 Type Bulb, 15 Watt, 120V

Lamping Options

Low Voltage, 20 Watt, with Dimmable Transformer
Custom Lamping Per Request

Fire and Product Data

Material: 5,000 psi Reinforced Plaster Mix
Flash Point: Non-Combustible
Melting Point: 1450 C Decomposes

Parts List

Plaster Fixture
Complete Light Assembly Kit
Heat Shield
Shims for 5/8" Rock Application
Fastening Screws
Installation Instructions and Specification Sheets

Nail on J-Box Application

