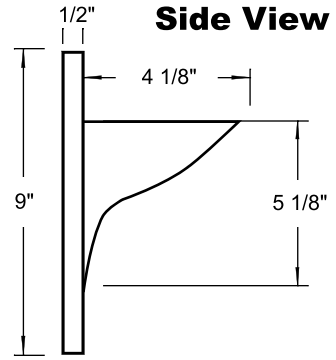
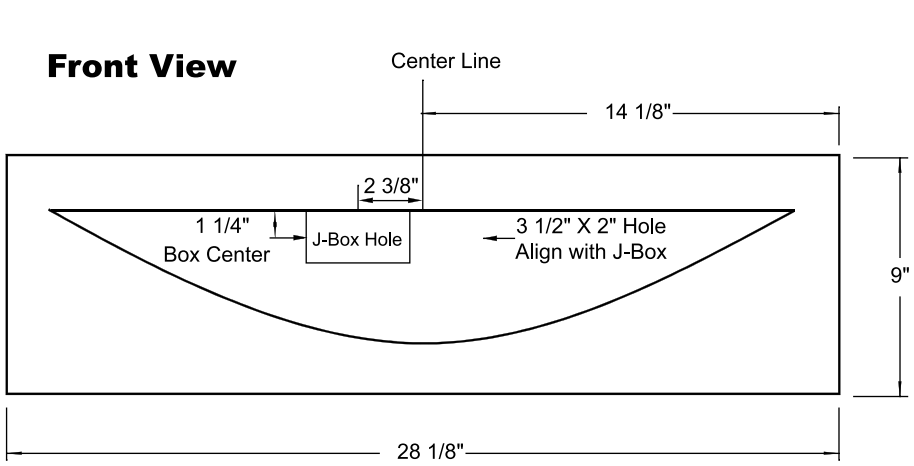


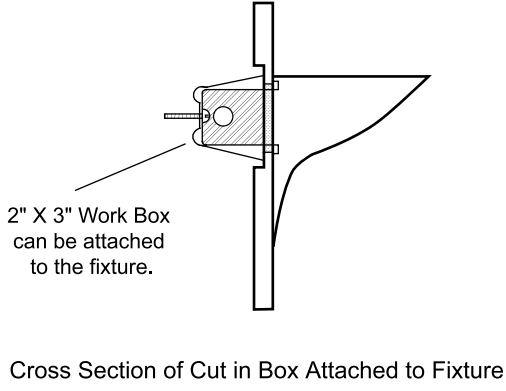
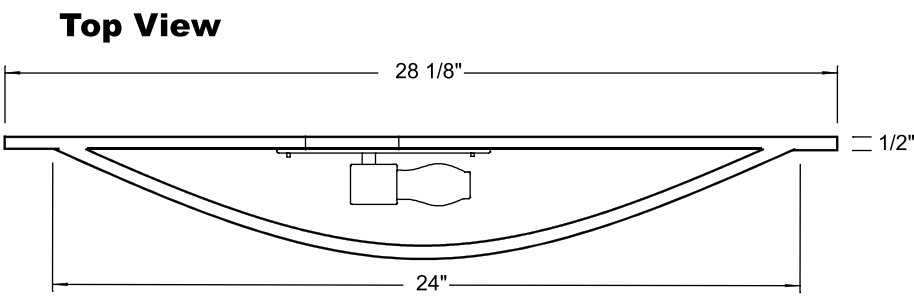
Architectural Product Information

Specifications subject to change, for the latest up to date information, go to www.ChadwickDesigns.com. Data can be downloaded in various formats. For technical questions and information, call 1-800-925-0005

Specification Sheet for the E-02 Eclipse 06/27/03



Handy Box Application



Standard Lamping
Incandescent, Med. Base, Type A-15 Bulb, 60 Watt, 120V

Lamping Options
Fluorescent: PL Sockets, GX23, 13 Watts
Custom Lamping Per Request

Fire and Product Data
Material: 5,000 psi Reinforced Plaster Mix
Flash Point: Non-Combustible
Melting Point: 1450 C Decomposes

Parts List
Plaster Fixture
Complete Light Assembly Kit
Heat Shield
Shims for 5/8" Rock Application
Fastening Screws
Installation Instructions and Specification Sheets

Nail on J-Box Application

