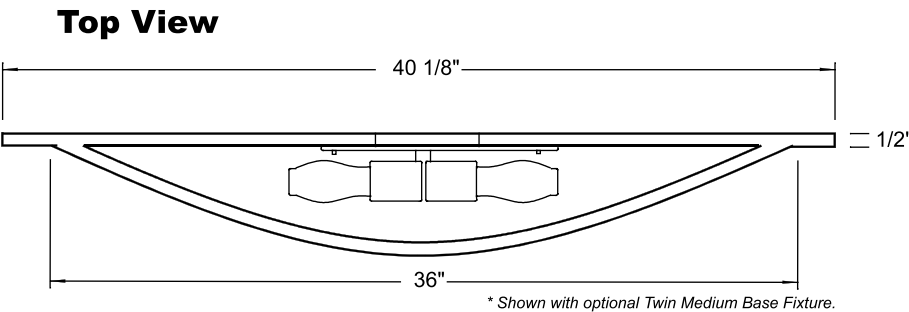
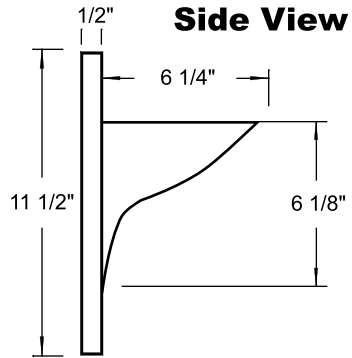
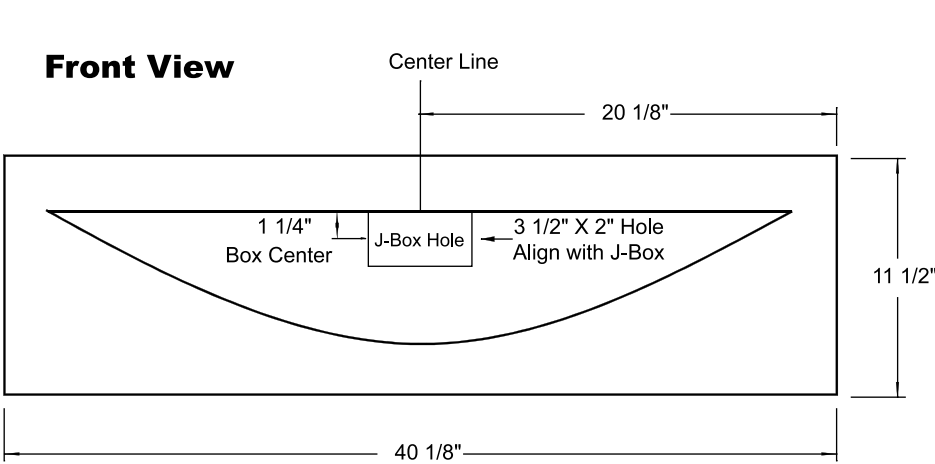


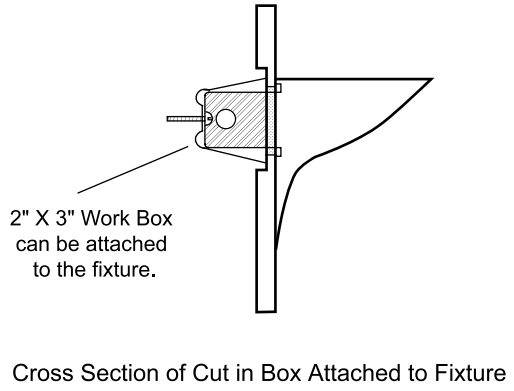
## Architectural Product Information

Specifications subject to change, for the latest up to date information, go to [www.ChadwickDesigns.com](http://www.ChadwickDesigns.com). Data can be downloaded in various formats. For technical questions and information, call 1-800-925-0005

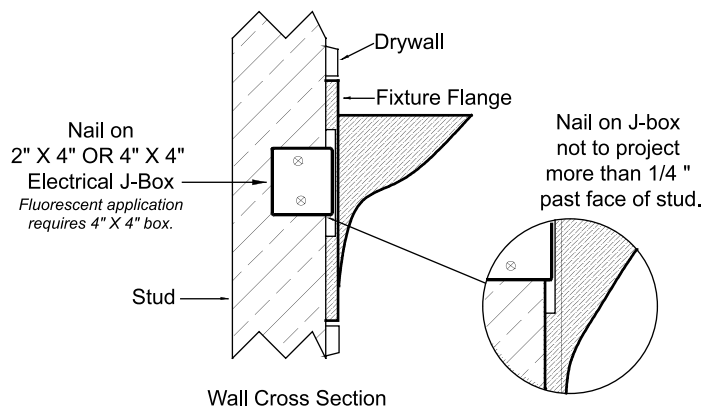
## Specification Sheet for the E-01 Eclipse 06/27/03



### Handy Box Application



### Nail on J-Box Application



**Standard Lamping**  
Incandescent, Single Medium Base, A Type Bulb, 100W, 120V

**Lamping Options**  
Incandescent, Twin Medium Base, A Type Bulb, 100W ea., 120V  
Fluorescent: PL Sockets, GX23, 13 Watts  
Custom Lamping Per Request

**Fire and Product Data**  
Material: 5,000 psi Reinforced Plaster Mix  
Flash Point: Non-Combustible  
Melting Point: 1450 C Decomposes

**Parts List**  
Plaster Fixture  
Complete Light Assembly Kit  
Heat Shield  
Shims for 5/8" Rock Application  
Fastening Screws  
Installation Instructions and Specification Sheets