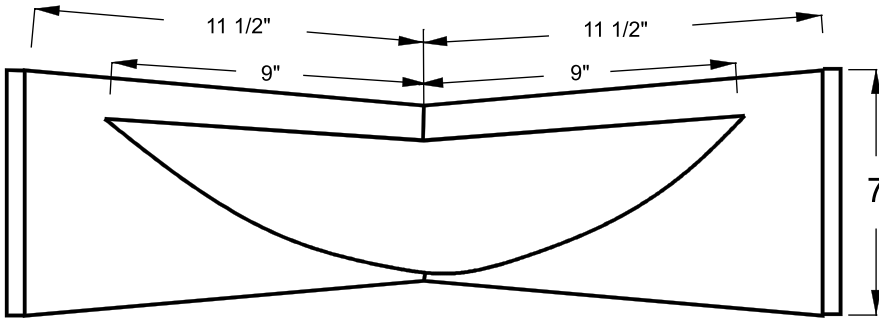


Architectural Product Information

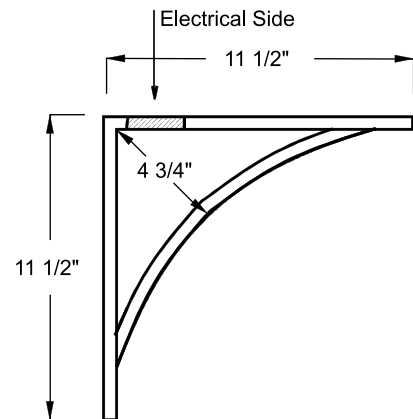
Specifications subject to change, for the latest up to date information, go to www.ChadwickDesigns.com. Data can be downloaded in various formats. For technical questions and information, call 1-800-925-0005

Specification Sheet for the C-02 Corner Sconce 06/27/03

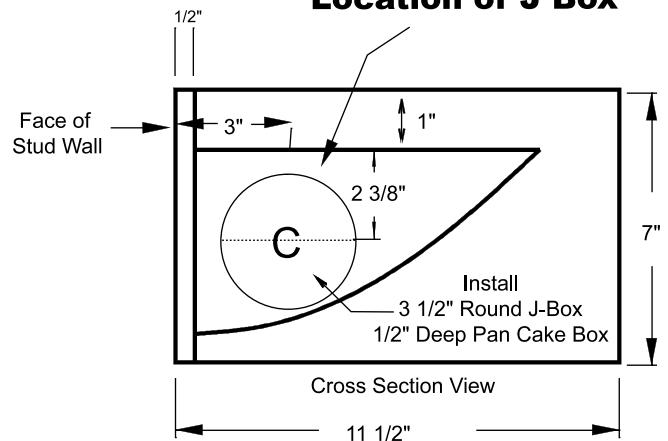
Front View



Top View



Location of J Box



Standard Lamping

Incandescent, Candelabra Base, G-16.5 Type Bulb, 60 Watt, 120V

Lamping Options

Low Voltage, Dimmable Transformer, 20W
Custom Lamping Per Request

Fire and Product Data

Material: 5,000 psi Reinforced Plaster Mix
Flash Point: Non-Combustible
Melting Point: 1450 C Decomposes

Parts List

Plaster Fixture
Complete Light Assembly Kit
Heat Shield
Shims for 5/8" Rock Application
Fastening Screws
Installation Instructions and Specification Sheets